

KT-190
KT-200

CANADIAN
OPERATOR'S
MANUAL

• Français – 9

Pipe Thawing Units



⚠️ WARNING!

Read this Operator's Manual carefully before using this tool. Failure to understand and follow the contents of this manual may result in electrical shock, fire and/or serious personal injury.

RIDGID[®]



Table of Contents

Recording Form for Machine Serial Number	1
General Safety Information	
Work Area Safety	2
Electrical Safety	2
Personal Safety	2
Tool Use and Care	2
Service	3
Specific Safety Information	
Tool Safety	3
Description and Specifications	
Description	3
Specifications	3
Standard Equipment	4
Accessories	4
Cables and Clamps	4
Problem Diagnostics	
Main Service Lines	4
Tap Water Lines	4
Tool Assembly	5
Tool Inspection	5
Tool Set-Up	5
Operating Instructions	
Thawing Tap Water Lines	6
Tool Removal	7
Maintenance Instructions	7
Tool Storage	7
Service and Repair	7
Electrical Schematics	8
Lifetime Warranty	Back Cover



KT-190 and KT-200 Pipe Thawing Units



KT-190 and KT-200 Pipe Thawing Units	
Record Serial Number below and retain product serial number which is located on nameplate.	
Serial No.	

General Safety Information

WARNING! Read and understand all instructions. Failure to follow all instructions listed below may result in electric shock, fire, and/or serious personal injury.

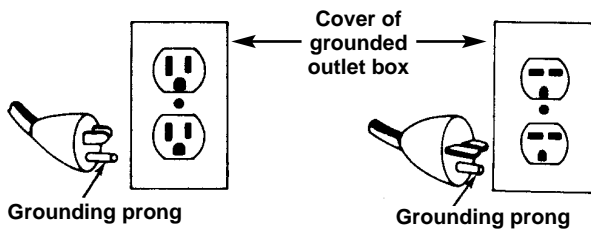
SAVE THESE INSTRUCTIONS!

Work Area Safety

- **Keep your work area clean and well lit.** Cluttered benches and dark areas invite accidents.
- **Do not operate these tools in explosive atmospheres, such as in the presence of flammable liquids, gases, or dust.** Electrical switches may create sparks which may ignite dust or fumes.
- **Keep bystanders, children, and visitors away while operating a Pipe Thawing Unit.** Distractions can cause you to lose control.

Electrical Safety

- **Grounded tools must be plugged into an outlet, properly installed and grounded in accordance with all codes and ordinances. Never remove the grounding prong or modify the plug in any way. Do not use any adapter plugs. Check with a qualified electrician if you are in doubt as to whether the outlet is properly grounded.** If the tool should electrically malfunction or break down, grounding provides a low resistance path to carry electricity away from the user.



- **Avoid body contact with grounded surfaces such as pipes, radiators, ranges and refrigerators.** There is an increased risk of electrical shock if your body is grounded.
- **Do not expose power tools to rain or wet conditions.** Water entering an electrical tool will increase the risk of electrical shock.
- **Do not abuse cord. Never use the cord to carry the tools or pull the plug from an outlet. Keep cord away from heat, oil, sharp edges, or moving parts. Replace damaged cords immediately.** Damaged cords increase the risk of electrical shock.
- **When operating an electrical tool outside, use an outdoor extension cord marked "W-A" or "W".**

These cords are rated for outdoor use and reduce the risk of electrical shock.

- **Use only three-wire extension cords which have three-prong grounding plugs, and three-pole receptacles which accept the tools plug.** Use of other extension cords will not ground the tool and increases the risk of electrical shock.
- **Use proper extension cords.** (See chart.) Insufficient conductor size will cause excessive voltage drop, loss of power, and overheating.

Minimum Wire Gauge for Cord Set	
Total Length (in feet)	
0 – 25	14 AWG
26 – 50	12 AWG
Over 50 ft.	NOT RECOMMENDED

- **Keep all electric connections dry and off the ground. Do not touch plugs or tool with wet hands.** Reduces the risk of electrical shock.

Personal Safety

- **Stay alert, watch what you are doing and use common sense when operating a tool. Do not use tool while tired or under the influence of drugs, alcohol or medications.** A moment of inattention while operating tools may result in serious personal injury.
- **Avoid accidental starting. Be sure switch is OFF before plugging in.** Plugging in machines that have the switch ON invites accidents.
- **Do not over-reach. Keep proper footing and balance at all times.** Proper footing and balance enables better control of the tool in unexpected situations.
- **Use safety equipment. Always wear eye protection.** Dust mask, non-skid safety shoes, hard hat, or hearing protection must be used for appropriate conditions.

Tool Use and Care

- **Do not use tool if switch does not turn it ON or OFF.** Any tool that cannot be controlled with the switch is dangerous and must be repaired.
- **Store idle tools out of the reach of children and other untrained persons.** Tools are dangerous in the hands of untrained users.
- **Maintain tools with care.** Properly maintained tools are less likely to cause injury.
- **Check for breakage of parts, and any other condition that may affect the tool's operation. If damaged, have the tool serviced before using.** Many accidents are caused by poorly maintained tools.



- **Use only accessories that are recommended by the manufacturer for your tool.** Accessories that may be suitable for one tool may become hazardous when used on another tool.
- **Inspect tool and extension cords periodically and replace if damaged.** Damaged cords increase the risk of electrical shock.
- **Keep handles dry and clean; free from oil and grease.** Allows for better control of the tool.
- **Disconnect the plug from the power source before making any adjustments, changing accessories, or storing the unit.** These preventative safety measures reduce the risk of accidentally starting the unit.

Service

- **Tool service must be performed only by qualified repair personnel.** Service or maintenance performed by unqualified repair personnel could result in injury.
- **When servicing a tool, use only identical replacement parts. Follow instructions in the Maintenance Section of this manual.** Use of unauthorized parts or failure to follow maintenance instructions may create a risk of electrical shock or injury.
- **Disconnect all power from the unit before servicing.** Eliminates the risk of electrical shock and accidental starting.

Specific Safety Information

▲ WARNING

Read this operator's manual carefully before using the Pipe Thawing Tools. Failure to understand and follow the contents of this manual may result in electrical shock, fire and/or serious personal injury.

Call the Ridge Tool Company, Technical Service Department at (800) 519-3456 if you have any questions.

Tool Safety

- **Tool is made to thaw frozen iron or copper water pipes. Follow the instructions on proper use.** Other uses may increase the risk of injury.

▲ WARNING

Do not leave the unit unattended while thawing. Such preventive measures reduce the risk of injury or fire.

- **Do not touch the clamp tips or cable connections.** Reduces the risk of burns.

- **Do not operate unit with housing removed.** Exposure to internal parts may result in injury.
- **Make both pipe connections before plugging in unit.** Prevents electrical arcing between the clamps and the pipe.
- **Use cable and clamps provided with unit.** Incorrect cables may result in overheating of the wires.
- **Keep clamps away from combustible materials or articles that can be damaged by heat.** Clamp tips become hot during use.
- **Notify local hydro authorities prior to using this tool and use only under their guidance.**

CAUTION

There is a possibility that the output of this tool may transfer into the electrical service of the house being thawed or at a remote location. To prevent this from occurring, disconnect all grounds (i.e.; electrical service bonding conductor, telephone ground and/or television cable ground) at the house being thawed and all houses on the same distributions transformer.

Description and Specifications

Description

The RIDGID Pipe Thawing Machines are designed for use on 1/2" to 1 1/2" copper or steel/iron pipe up to 150 feet (KT-200). Both the KT-190 and KT-200 use low voltage and high amperage to quickly thaw frozen water lines.

This method does not require knowing exactly where the frozen section is or having direct access to the area. The KT-190 and KT-200 will thaw copper or steel pipe that is underground, beneath the floor or behind walls. Multiple voltage settings on the KT-200 allow for maximum amperage to provide the shortest thawing time. Vinyl coated clamps with 25 foot cables, standard with both units, permit thawing of a 50' section of pipe. Additional 25' cable extensions are available for longer runs.

Specifications

Line Capacity:

Generally recommended for all indoor copper or steel pipes from 1/2" to 1 1/2". Thawing units will not work with plastic pipe or lines containing plastic or rubber couplings.

Thawing Unit:

Input115 Volts, 15 Amps



Model KT-190 and KT-200 Pipe Thawing Units

	KT-190	KT-200
Output.....	6.0 Volts	4.5 - 7.6 Volts
Output.....	300 Amps	300 Amps
Minimum Reach	15'	4'
Maximum Reach	75'	150'
Weight	25 lbs	29 lbs
Weight	11.4 kgs	13.2 kgs

Standard Equipment

Qty. Item

- 1Thawing Unit, Model KT-190 or KT-200.
115 volts, 15 Amps.
- 2Cables, 25 feet in length, with a vinyl coated spring clamp on one end and a mounting loop on the other.

Accessories

- Extension Cable, 25 feet, # 1/0 AWG c/w nut & bolt. Catalog No. 62772
- Series Cable, 3 feet, # 1/0 AWG , Catalog No. 62812



Figure 1 – KT-200 Pipe Thawing Tool

Cables and Clamps

25 feet in length with vinyl coated clamp.

	KT-190	KT-200
Size	#2 AWG	#1/0 AWG
Weight	19 lbs/Pair (8.6 kgs)	23 lbs/Pair (10.5 kgs)

Problem Diagnostics

Main Service Lines

If there is no running water anywhere in the house, the main service from the curb valve to the house is frozen. The service can be thawed by placing one clamp on a tap water line in the basement and the other on the curb key attached to the curb valve. Make sure there is contact between the curb key and valve. Extension Cables are required if runs exceed 50 feet. Additional thawing units may be required to reduce thawing time. Refer to Special Application Procedure for Series Set-Up.

Tap Water Lines

Locate the frozen line by opening faucets and checking for water flow. The frozen section will normally be in an outside wall or in a crawl space with poor insulation. If one faucet does not have running water and the next faucet does, frozen section is between faucets. Place clamps on either hot or cold water lines, not on faucets.

Refer to **Thawing Tap Water Lines** for procedure.

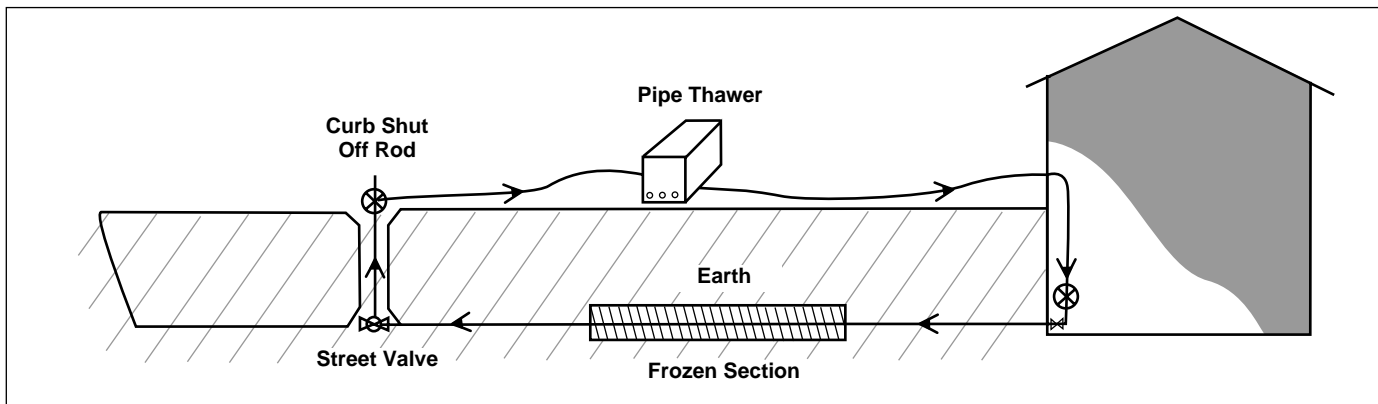


Figure 2 – Thawing Main Service Lines



Tool Assembly

▲ WARNING

To prevent serious injury, proper assembly of the Thawing Tool is required. The following procedures should be followed:



Figure 3 – Thawing Tool with Cables Installed

Installing Cables with Clamps

1. Remove retaining nut from one of the lugs on back of unit.
2. Slip looped end of cable onto lug bolt with flat side towards unit.
3. Reinstall lug nut and secure tightly.
4. Ensure looped end of cable does not contact housing.
5. Repeat steps 1 and 2 for remaining lug.

NOTE! If cable leads are not securely fastened to thawing unit, thawing time may be extended and/or unit may not function properly.

Tool Inspection

▲ WARNING



To prevent serious injury, inspect your Pipe Thawing Tool. The following procedures should be followed.

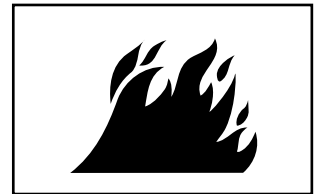
1. Make sure Pipe Thawing Tool is unplugged and the control switches are in the OFF position.
2. Inspect the power cord and plug for damage. If the plug has been modified, is missing the grounding prong or if the cord is damaged, do not use the Thawing Tool until the cord has been replaced.
3. Inspect the cables and clamps for damage. Be sure cable leads are securely fastened to thawing unit. If

cable or clamps are damaged, do not use the Thawing Tool until they are replaced. Only use cable and clamps provided with the unit.

4. Clean any oil, grease or dirt from handles, controls and clamps.
5. Inspect the Thawing Tool for any broken or missing parts as well as damage to the metal enclosure. If any of these conditions are present, do not use the Thawing Tool until any problem has been repaired.

Tool Set-Up

▲ WARNING



To prevent serious injury, proper set-up of the tool and work area is required. The following procedures should be followed to set-up the Pipe Thawing Tool.

1. Check work area for:
 - Adequate lighting
 - 15 Amp grounded electrical outlet
 - Clear path to the electrical outlet that does not contain any sources of heat or oil, sharp edges or moving parts that may damage electrical cord.
 - Dry place for tool and operator. Do not use the tool while standing in water.
 - Flammable liquids, vapors or dust that may ignite.
2. Position KT-190 or KT-200 Pipe Thawer near the area suspected of having a frozen section of pipe.
3. Make sure unit is unplugged and turned OFF. (Switch on KT-190 is in the down (OFF) position. Center switch on KT-200 is in the middle (OFF) position).
4. Uncoil both cables completely and insure they are not overlapping or in contact.
5. Follow instructions on proper placement of clamps.



⚠ WARNING Making pipe connections before plugging in unit prevents arcing between clamp and pipe.

NOTE! Whenever making connections, clean pipe of paint, scale rust, etc. to ensure good amperage flow from the clamps to the pipe. Poor connections will cause the clamps to get much hotter than normal.

6. When plugging the Pipe Thawing Tool into the electrical outlet, making sure to position the power cord along the clear path selected earlier. If the power cord does not reach the outlet, use an extension cord in good condition.

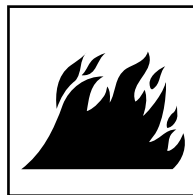
⚠ WARNING To avoid electric shock and electrical fires, never use an extension cord that is damaged or does not meet the following requirements:

- The cord has a three-prong plug similar to shown in Electrical Safety section.
- The cord is rated as “W” or “W-A” if being used outdoors.
- The cord has sufficient wire thickness (14 AWG below 25’/12 AWG 25’ - 50’). If the wire thickness is too small, the cord may overheat, melting the cord’s insulation or causing nearby objects to ignite.

⚠ WARNING To reduce risk of electrical shock, keep all electrical connections dry and off the ground. Do not touch plug with wet hands.

Operating Instructions

⚠ WARNING



To reduce risk of electrical shock, keep all electrical connections dry and off the ground. Do not touch plug with wet hands.

Be very careful when thawing frozen pipes. Clamp tips and cable connections become hot during use. Avoid contact with skin as burns can result.

Keep clamps away from combustible materials or articles that can be damaged by heat.

Do not leave the unit unattended while thawing.

Thawing Tap Water Lines

NOTE! It is recommended that there be standard water pressure on one side of the frozen section of pipe and an open faucet on the other side of the frozen section (*Figure 4*). As the pipe warms to above freezing point, the water, with pressure behind it, will seep along the inside wall of the pipe melting and flushing the remaining ice out of the faucet.

1. Make sure unit is unplugged and turned OFF and cables are completely uncoiled.

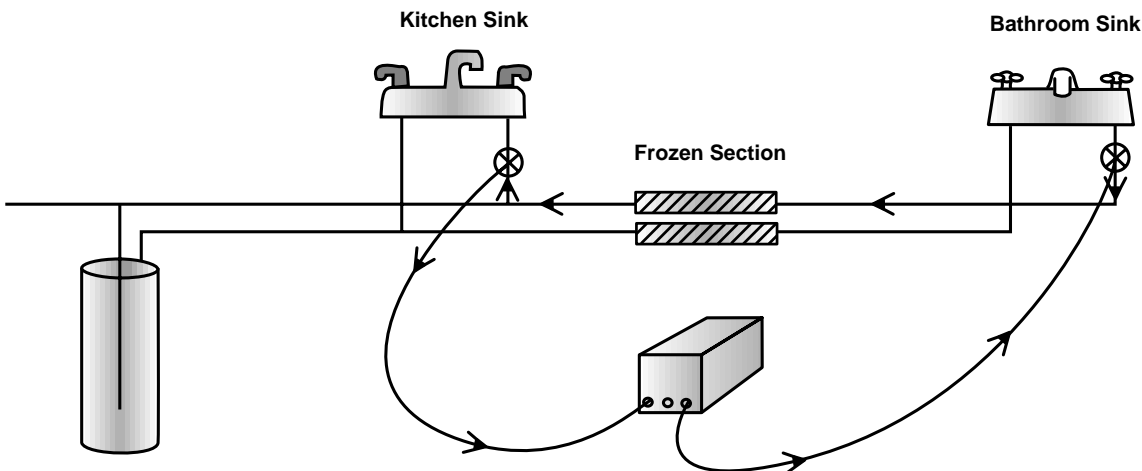


Figure 4 – Thawing Tap Water Lines



- Place one clamp on each side of the frozen section of pipe. Open the faucet where no water flows.

▲ WARNING Making pipe connections before plugging in unit prevents arcing between clamps and pipe.

- Plug unit into a grounded 15 amp outlet making sure to position the power cord along the clear path selected earlier.
- Move switch to ON (UP position on KT-190. Center switch down to low position, left switch to A on KT-200).
- If current is below 15 amps on KT-200, switch to B. If current is still below 15 amps, switch to high position on center switch and right switch up to C.
- Continue until 15 amps is reached but not exceeded, D switch setting is used with long runs.

Thawing time may vary from a few seconds to several hours depending on length and diameter of pipe being thawed. If time seems unreasonable, check clamps for proper placement.

NOTE! This tool is equipped with a thermal overload for added safety. If thawing for long periods of time at maximum current, the unit may shut down automatically. Unit will resume operations automatically after approximately 3 minutes.

Tool Removal

- When water lines have thawed, turn switch to the OFF position and unplug power cord from the electrical outlet.
- Remove clamps from the pipe.

▲ WARNING Clamp tips are hot and can cause burns.

- Allow clamps to cool before coiling cables and placing the unit in storage. While the clamps are hot, keep them away from combustible materials or articles that can be damaged by heat.

Maintenance Instructions

▲ WARNING

Make sure unit is unplugged from power source before performing maintenance or repairs.

Tool Maintenance

- Replace damaged, frayed, broken or worn cables.
- Periodically clean lugs with steel wool and emery cloth.
- Replace damaged, frayed, broken or worn machine cord.

- Keep clamps dry and clean.

Tool Storage

▲ WARNING Electrical equipment must be kept indoors or well covered in rainy weather. Store the tool in a locked area that is out of reach of children and people unfamiliar with Pipe Thawing tools. This tool can cause serious injury in the hands of untrained users.

Service and Repair

▲ WARNING



Service and repair work on this tool must be performed by qualified repair personnel. Thawing unit should be taken to a RIDGID Independent Authorized Service Center or returned to the factory. All repairs made by Ridge service facilities are warranted against defects in material and workmanship.

When servicing this tool, only identical replacement parts should be used. Failure to follow these instructions may create a risk of electrical shock or other serious injury.

If you have any questions regarding the service or repair of this machine, call or write to:

Ridge Tool Company
 Technical Service Department
 400 Clark Street
 Elyria, Ohio 44035-6001
 Tel: (800) 519-3456
 E-mail: TechServices@ridgid.com

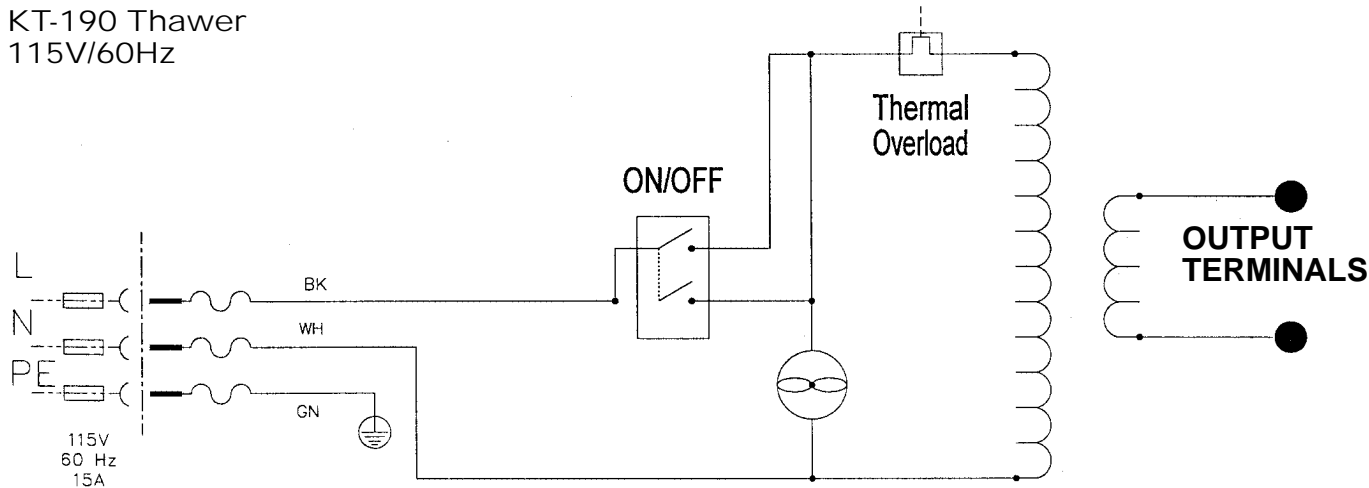
For name and address of your nearest Independent Authorized Service Center, contact the Ridge Tool Company at (800) 519-3456 or <http://www.ridgid.com>



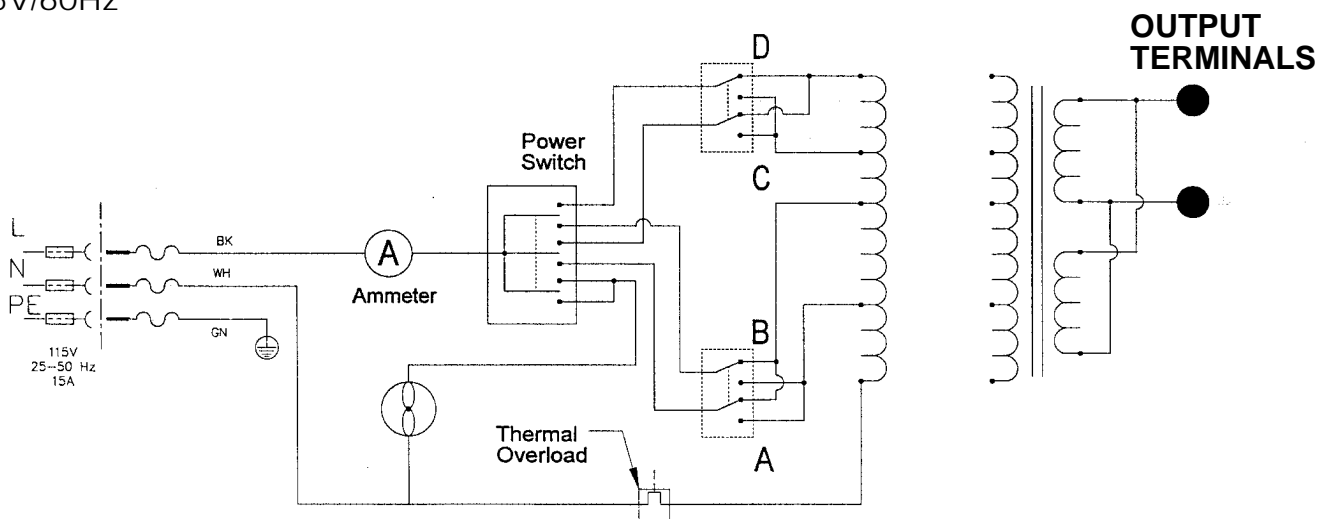
Model KT-190 and KT-200 Pipe Thawing Units

Electrical Schematics

KT-190 Thawer
115V/60Hz



KT-200 Thawer
115V/60Hz





Appareils de décongélation des canalisations KT-190 et KT-200



Appareils de décongélation des canalisations KT-190 et KT-200

Inscrivez ci-dessous le numéro de série de la plaque signalétique l'appareil pour future référence.

N° de
série :

--	--

Table des matières

Fiche d'enregistrement du numéro de série de l'appareil	9
Consignes générales de sécurité	
Sécurité du chantier	11
Sécurité électrique.....	11
Sécurité personnelle.....	11
Utilisation et entretien de l'appareil	12
Service après-vente	12
Consignes de sécurité particulières	
Sécurité de l'appareil.....	12
Description, spécification et équipements de base	
Description	13
Spécifications	13
Équipements de base.....	13
Accessoires	13
Câbles et pinces.....	13
Diagnostic des anomalies	
Réseau d'alimentation général.....	14
Conduites individuelles.....	14
Montage de l'appareil	14
Inspection de l'appareil	15
Préparation de l'appareil	15
Fonctionnement de l'appareil	
Décongélation de conduites d'eau de ville	16
Replis du matériel.....	17
Entretien	17
Stockage de l'appareil	17
Service après-vente et réparations	17
Schéma électrique	18
Garantie à vie	Page de garde

Consignes générales de sécurité

MISE EN GARDE ! Familiarisez-vous complètement avec l'ensemble des instructions. Le non-respect de ces consignes augmenterait les risques de choc électrique, d'incendie et/ou de graves blessures corporelles.

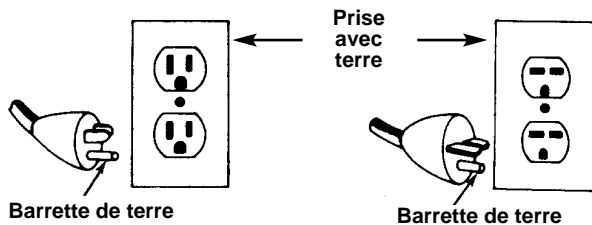
CONSERVEZ CES INSTRUCTIONS !

Sécurité du chantier

- **Maintenez le chantier propre et bien éclairé.** Les établis encombrés et le manque d'éclairage sont à l'origine de nombreux accidents.
- **N'utilisez pas ce type d'appareil en présence de combustibles tels que les liquides, gaz ou poussières inflammables.** Les appareils électriques produisent des étincelles capables d'enflammer les poussières et les émanations combustibles.
- **Écartez les curieux, les enfants et les visiteurs lorsque vous utilisez un appareil électrique.** Les distractions éventuelles peuvent vous faire perdre le contrôle de l'appareil.

Sécurité électrique

- **Les appareils électriques avec terre doivent être branchés sur une prise avec terre appropriée et conforme aux normes en vigueur. Ne jamais enlever la barrette de terre ou tenter de modifier la fiche d'aucune manière. Ne jamais utiliser d'adaptateurs de prise. Consultez un électricien qualifié en cas de doute sur la bonne mise à la terre de la prise.** Dans le cas d'une panne ou d'une défaillance électrique de l'appareil, la terre assure un passage de faible résistance qui éloigne le courant électrique de l'opérateur.



- **Évitez tout contact avec les masses telles que tuyaux, radiateurs, cuisinières ou réfrigérateurs.** Les risques de choc électrique augmentent lorsque votre corps est en contact avec une masse.
- **N'exposez pas les appareils électriques à la pluie ou aux intempéries.** Toute pénétration d'eau à l'intérieur d'un appareil électrique augmente les risques de choc électrique.

- **Ne maltraitez pas le cordon électrique de l'appareil. Ne jamais porter l'appareil par son cordon électrique, ni tirer sur celui-ci pour débrancher l'appareil. Gardez le cordon à l'abri des sources de chaleur, de l'huile, des angles tranchants et des pièces mobiles. Remplacez immédiatement tout cordon endommagé.** Les cordons endommagés augmentent les risques de choc électrique.
- **Lorsque vous utilisez l'appareil à l'extérieur, utilisez une rallonge électrique portant la désignation "W-A" ou "W".** Ce type de rallonge est prévu pour être utilisé à l'extérieur et réduit les risques de choc électrique.
- **Utilisez exclusivement des rallonges à trois fils dont les fiches sont compatibles avec celle de l'appareil.** L'utilisation d'autres types de rallonge électrique n'assurera pas la mise à la terre de l'appareil et augmentera les risques de choc électrique.
- **Utilisez la section de rallonge appropriée (voir le tableau).** Une section de conducteurs insuffisante entraînera des pertes de charge excessive et un manque de puissance.

Section minimale des conducteurs de rallonge	
Longueur totale (en pieds)	
0 à 25	14 AWG
26 à 50	12 AWG
Au-delà de 50 pieds	DÉCONSEILLÉ

- **Gardez toutes les connexions électriques au sec et surélevées. Ne touchez pas les fiches ou l'appareil avec les mains mouillées.** Cela limitera les risques de choc électrique.

Sécurité personnelle

- **Concentrez-vous, restez attentif et faites preuve de bon sens lors de l'utilisation d'un appareil électrique. N'utilisez pas ce type d'appareil lorsque vous êtes fatigué ou sous l'influence de drogues, de l'alcool ou de médicaments.** Lors de l'utilisation des appareils électriques, un instant d'inattention peut provoquer un accident grave.
- **Évitez les risques de démarrage accidentel. Assurez-vous que l'interrupteur marche/arrêt est en position OFF (arrêt) avant de brancher l'appareil.** Brancher un appareil lorsque son interrupteur est en position de marche est une invitation aux accidents.
- **Ne vous mettez pas en porte-à-faux. Maintenez une bonne assise et un bon équilibre à tout moment.** Une bonne assise et un bon équilibre vous permettent de mieux contrôler l'appareil en cas d'imprévu.
- **Utilisez les équipements de sécurité appropriés.**

Portez systématiquement des lunettes de sécurité. Un masque à poussière, des chaussures de sécurité, le casque et/ou une protection auditive doivent être prévus selon les conditions d'utilisation.

Utilisation et entretien de l'appareil

- **N'utilisez pas un appareil si son interrupteur ne permet pas de le mettre en marche ou de l'arrêter.** Tout appareil qui ne peut pas être contrôlé par son interrupteur est dangereux et doit être réparé.
- **Rangez les appareils non utilisés hors de la portée des enfants et des personnes non initiées.** Ces appareils sont dangereux entre les mains de personnes non initiées.
- **Entretenez ces appareils avec soin.** Les appareils bien entretenus sont généralement moins dangereux.
- **Examinez l'appareil pour signes d'anomalie ou d'autres conditions qui pourraient nuire à son bon fonctionnement. Le cas échéant, il sera nécessaire de faire réparer l'appareil avant de vous en servir.** De nombreux accidents sont le résultat d'un appareil mal entretenu.
- **Utilisez exclusivement les accessoires recommandés par le fabricant pour votre appareil particulier.** Des accessoires prévus pour un certain type d'appareil peuvent être dangereux lorsqu'ils sont montés sur un autre.
- **Examinez le cordon d'alimentation de l'appareil et les rallonges électriques régulièrement et remplacez tout élément endommagé.** Les cordons d'alimentation endommagés augmentent les risques de choc électrique.
- **Gardez les poignées propres, sèches et dépourvues d'huile ou de graisse.** Cela vous permettra de mieux contrôler l'appareil.
- **Débranchez l'appareil avant tout réglage, changement d'accessoires ou stockage.** De telles mesures préventives réduisent les risques de démarrage accidentel de l'appareil.

Service après-vente

- **Toutes réparations de l'appareil doivent être confiées à un réparateur qualifié.** La réparation ou l'entretien de l'appareil par du personnel non qualifié peut entraîner des blessures.
- **Lors de la réparation de l'appareil, utilisez exclusivement des pièces de rechange identiques à celles d'origine. Suivez les instructions de la section "Entretien" du mode d'emploi.** L'utilisation de pièces de rechange non homologuées et le non-respect

des consignes d'entretien peut créer un risque de choc électrique ou de blessure corporelle.

- **Débranchez l'appareil avant toute intervention.** Cela éliminera les risques de choc électrique et de démarrage accidentel.

Consignes de sécurité particulières

▲ MISE EN GARDE

Lisez soigneusement ce manuel avant d'utiliser les appareils de décongélation. Le non-respect des consignes ci-devant augmenterait les risques de choc électrique, d'incendie et/ou de grave blessure corporelle.

Veuillez adresser toutes questions éventuelles aux services techniques de la Ridge Tool Company en composant le (800) 519-3456.

Sécurité de l'appareil

- **Cet appareil est prévu pour la décongélation des canalisations d'alimentation d'eau en acier ou en cuivre. Respectez les consignes d'utilisation applicables.** Toute autre utilisation pourrait augmenter les risques d'accident.

▲ MISE EN GARDE

Ne pas laisser l'appareil sans surveillance durant l'opération de décongélation. De telles mesures préventives réduisent les risques de blessure et d'incendie.

- **Ne touchez pas les embouts de pince ou les connexions de câble.** Cela réduira les risques de brûlure.
- **N'utilisez pas l'appareil sans son boîtier.** Toute exposition aux composants internes peut augmenter les risques d'accident.
- **Engagez les deux pinces sur le tuyau avant de brancher l'appareil.** Cela évitera les risques d'arc électrique entre les pinces et le tuyau.
- **Utilisez le câble et les pinces livrés avec l'appareil.** Des câbles mal adaptés risquent de surchauffer.
- **Éloignez les pinces des matériaux combustibles et tout article sensible à la chaleur.** Les embouts de pince deviennent brûlants en cours d'opération.
- **Avertissez les services des eaux avant d'utiliser cet appareil et utilisez-le que sous leur surveillance.**

AVERTISSEMENT

La tension électrique produite par cet appareil risque de se transférer au circuit électrique de la maison que vous desservez ou d'une autre. Pour éviter cette éventualité, débranchez toutes les mises à la terre (c.-à-d., conducteurs de raccordement du circuit électrique, masses du service téléphone et/ou du service de télévision par câble) de la maison en cours de service, ainsi que de toute autre maison raccordée au même transformateur de distribution.

Description et spécifications**Description**

Les appareils de décongélation des canalisations RIDGID sont prévus pour le traitement des canalisations en acier, fonte ou cuivre de 1/2 à 1 1/2 pouce de diamètre et d'une longueur maximale de 150 pieds (KT-200). Les deux appareils (KT-190 et KT-200) font appel à un courant basse tension à haute intensité pour rapidement dégeler les conduites d'eau bloquées par la glace.

Grâce à cette méthode, il n'est pas nécessaire de connaître le point de congélation précis, ni d'y avoir directement accès. Les appareils KT-190 et KT-200 peuvent dégeler les canalisations en cuivre ou en acier enterrées, sous plancher ou derrière les murs. Le réglage de voltage variable du KT-200 permet d'assurer un maximum d'intensité de courant et donc, une durée de dégel minimale. Des pinces recouvertes de vinyle avec câbles de 25 pieds de long faisant partie des équipements de base des deux modèles permettent de dégeler des longueurs de conduite d'un maximum de 50 pieds. Des rallonges de câble de 25 pieds de long sont également disponibles pour les longueurs plus importantes.

Spécifications**Section de conduite :**

Généralement recommandés pour l'ensemble des conduites intérieures en cuivre ou acier allant de 1/2 à 1 1/2 po de diamètre, ces appareils de décongélation ne fonctionnent pas sur les canalisations en matière plastique, ni sur celles équipées de raccords ou de joints en plastique ou en caoutchouc.

Appareil de décongélation :

Tension
d'alimentation115 Volts, 15 Ampères

KT-190	KT-200
---------------	---------------

Puissance électrique6,0 Volts 4,5 à 7,6 Volts

Intensité300 ampères 300 ampères

Portée minimale	15 pieds	4 pieds
Portée maximale	75 pieds	150 pieds
Poids	25 livres	29 livres
Poids	11,4 kg	13,2 kg

Équipements de base**Quant. Article**

- | | |
|---|---|
| 1 | Appareil de décongélation modèle KT-190 ou KT-200 en 115V/15A |
| 2 | Câbles de 25 pieds de long avec pince à ressort recouverte de vinyle à un bout et œillet de montage à l'autre |

Accessoires

- Câble de rallonge de 25 pieds en cuivre n° 1/0 AWG avec écrou et boulon. Réf. Catalogue : 62772
- Câble en série de 3 pieds de long n° 1/0 AWG. Réf. Catalogue : 62812



Figure 1 – Appareil de décongélation des canalisations modèle KT-200

Câbles et pinces

Câble de 25 pieds de long avec pince recouverte de vinyle.

	KT-190	KT-200
Section	n° 2 AWG	n° 1/0 AWG
Poids	19 livres (8,6 kg) la paire	23 livres (10,5 kg) la paire

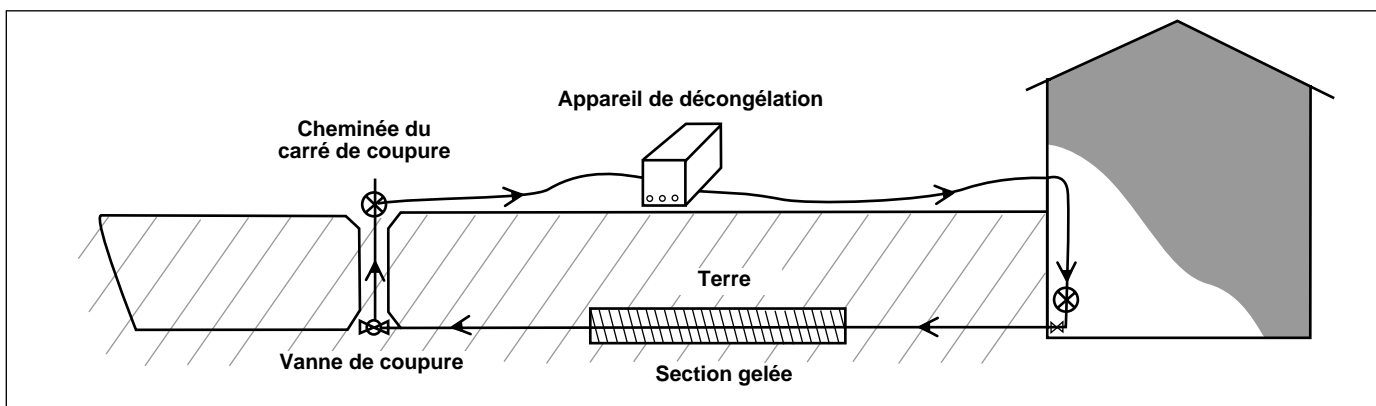


Figure 2 – Décongélation des canalisations d'alimentation générale

Diagnostic des anomalies

Réseau d'alimentation général

Lorsqu'il n'y a d'eau nulle part dans la maison, c'est signe que le raccordement au service de ville est gelé. Ce raccordement peut être dégelé en plaçant une des pinces sur une des canalisations de distribution dans le sous-sol, et l'autre sur le carré de coupure du raccordement de la ville. Des câbles de rallonge seront nécessaires pour les portées de plus de 50 pieds. Des appareils de décongélation supplémentaires peuvent s'avérer nécessaires afin de réduire le temps de dégel. Reportez-vous à la section Méthode de montage en série.

Conduites de distribution

Localisez la conduite gelée en ouvrant les robinets et en contrôlant leur débit. La conduite gelée se trouvera normalement dans un mur extérieur ou dans un vide sanitaire mal isolé. Si un robinet coule et l'autre non, la section gelée se trouve entre les deux robinets. Placez les pinces sur les conduites d'eau chaude ou d'eau froide, mais pas sur les robinets eux-mêmes.

Reportez-vous à la section Décongélation des conduites de distribution pour la méthode à suivre.

Assemblage de l'appareil

▲ MISE EN GARDE

L'appareil doit être correctement assemblé afin d'éviter les risques d'accident. Respectez la méthode suivante :



Figure 3 – Appareil de décongélation avec câbles montés

Montage des câbles à pince

1. Retirez l'écrou de fixation d'une des bornes qui se trouvent au dos de l'appareil.
2. Enfilez œillet du câble sur la borne avec son côté plat vers l'appareil.
3. Réinstallez l'écrou et serrez-le convenablement.
4. Assurez-vous que l'œillet de connexion du câble ne touche pas le boîtier de l'appareil.
5. Répétez le processus avec l'autre câble.

NOTA ! Si les connecteurs de câble ne sont pas suffisamment bien serrés, la durée de décongélation risque d'être prolongée et/ou l'appareil risque de ne pas fonctionner correctement.

Inspection de l'appareil

▲ MISE EN GARDE



Inspectez l'appareil de décongélation des canalisations de la manière suivante afin d'éviter de graves blessures.

1. Assurez-vous que l'appareil est débranché et que ses commandes sont en position d'arrêt (OFF).
2. Examinez le cordon d'alimentation et sa fiche pour signes d'anomalie. Si la fiche a été modifiée, si elle manque de barrette de terre ou si le cordon d'alimentation est endommagé, ne vous servez pas de l'appareil de décongélation avant d'avoir remplacé le cordon.
3. Examinez les câbles et les pinces pour signes de détérioration. Assurez-vous que les connexions de câble sont bien serrées. Si les câbles ou les pinces sont endommagés, n'utilisez pas l'appareil de décongélation avant de les avoir remplacés. N'utilisez que les câbles à pince prévus pour cet appareil.
4. Éliminez toutes traces d'huile, de graisse et de crasse des poignées, commandes et pinces.
5. Examinez l'appareil de décongélation pour signes de pièces endommagées ou manquantes, ainsi que pour signes de déformation du boîtier métallique. Le cas échéant, n'utilisez pas l'appareil avant d'avoir réparé l'anomalie en question.

Préparation de l'appareil

▲ MISE EN GARDE



L'appareil de décongélation et le chantier doivent être préparés de la manière suivante afin d'éviter les risques d'accident grave.

1. Assurez-vous que le chantier :
 - Offre suffisamment d'éclairage

- Possède une prise électrique avec terre de 15 ampères
 - Offre un passage dégagé jusqu'à la prise de courant, à l'abri de toutes sources de chaleur et d'huile, des angles tranchants ou des mécanismes qui pourraient endommager le cordon d'alimentation.
 - Un endroit au sec pour l'appareil et son utilisateur. Ne pas utiliser cet appareil lorsque vous avez les pieds dans l'eau.
 - Ne renferme pas de liquides, vapeurs ou poussières combustibles qui risqueraient de s'enflammer.
2. Positionnez l'appareil de décongélation KT-190 ou KT-200 à proximité de l'endroit où la canalisation est soupçonnée d'être gelée.
 3. Assurez-vous que l'appareil est débranché et éteint (interrupteur du KT-190 en position basse ; interrupteur central du KT-200 en position centrale).
 4. Débobinez les deux câbles complètement en faisant attention de ne pas les laisser se chevaucher ou se toucher.
 5. Reportez-vous aux instructions visant la mise en place des pinces.

▲ MISE EN GARDE Mettez les pinces en place avant de brancher l'appareil afin d'éviter la formation d'arcs électriques entre les pinces et le tuyau.

NOTA ! Nettoyez le tuyau des traces éventuelles de peinture, tartre, rouille, etc. afin d'assurer une bonne continuité de courant entre les pinces et le tuyau. Une mauvaise connexion provoquerait une surchauffe anormale des pinces.

6. Lorsque vous branchez le cordon d'alimentation de l'appareil de décongélation, assurez-vous que le cordon suit le passage dégagé précédemment sélectionné. Si le cordon d'alimentation n'arrive pas jusqu'à la prise, utilisez une rallonge électrique en bon état.

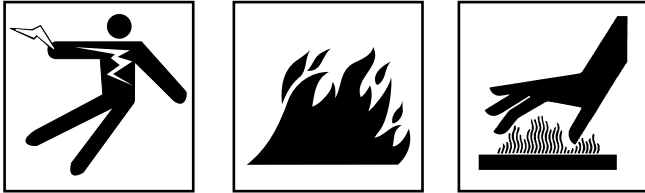
▲ MISE EN GARDE Afin d'éviter les risques de choc et incendie électriques, ne jamais utiliser de rallonge électrique endommagée ou qui ne répond pas aux critères suivants :

- La rallonge est équipée d'une fiche à trois barrettes similaire à celle indiquée à la section Sécurité électrique.
- La rallonge est du type "W" ou "W-A" si elle est utilisée à l'extérieur.
- Les fils conducteurs de la rallonge sont de section suffisante (14 AWG sous 25 pieds, 12 AWG entre 25 et 50 pieds). Une section de fils insuffisante risque de faire surchauffer la rallonge, fondre sa gaine isolante et enflammer les objets à proximité.

⚠ MISE EN GARDE Maintenez toutes les connexions électriques au sec et surélevées afin de limiter les risques de choc électrique. Ne touchez pas la fiche avec des mains mouillées.

Fonctionnement de l'appareil

⚠ MISE EN GARDE



Maintenez toutes les connexions électriques au sec et surélevées afin de limiter les risques de choc électrique. Ne touchez pas la fiche avec des mains mouillées.

Faites particulièrement attention lors de la décongélation des canalisations gelées. Les embouts de pince et les connecteurs de câble deviennent brûlants en cours d'opération. Tout contact avec la peau pourrait provoquer des brûlures.

Éloignez les pinces des matériaux combustibles et des articles sensibles à la chaleur.

Ne pas laisser l'appareil sans surveillance durant la décongélation.

Décongélation des conduites de distribution

NOTA ! Il est conseillé de maintenir une pression d'eau normale à l'amont de la section gelée du tuyau, et un robinet ouvert à l'aval (*Figure 4*). Lors du dégel du tuyau, la pression d'eau en amont assurera son écoulement le long des parois du tuyau, ce qui aura pour résultat la fonte et l'évacuation de la glace restante via le robinet ouvert.

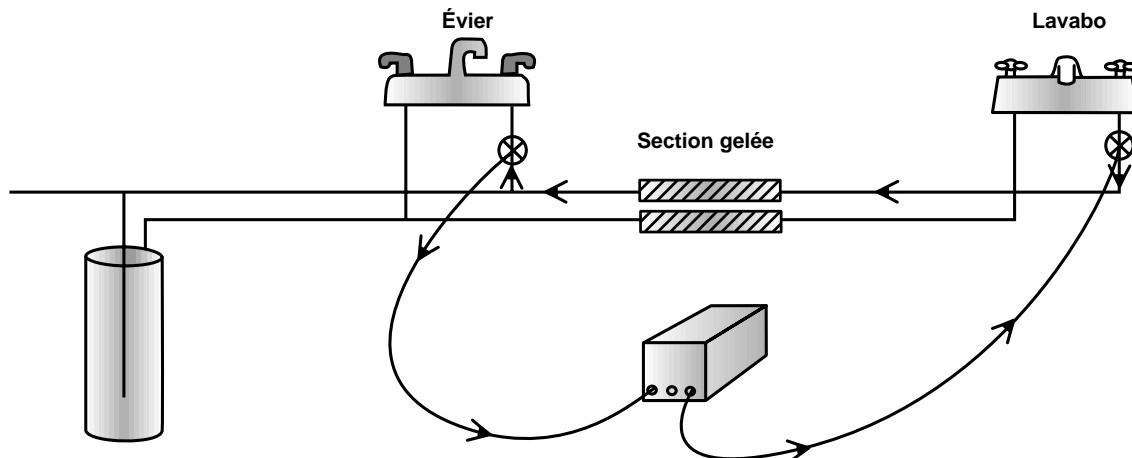


Figure 4 – Décongélation des conduites de distribution

1. Assurez-vous que l'appareil est débranché et éteint, et que les câbles sont complètement déployés.

2. Placez une des pinces à chaque extrémité de la section gelée du tuyau. Ouvrez le robinet qui ne coule pas.

⚠ MISE EN GARDE Mettez les pinces en place avant de brancher l'appareil afin d'éviter la formation d'arcs électriques entre les pinces et le tuyau.

3. Branchez l'appareil sur une prise avec terre de 15 ampères en vous assurant que le cordon d'alimentation suit le passage dégagé précédemment sélectionné.

4. Mettez l'interrupteur vers le haut en position de marche (ON) sur le KT-190, et l'interrupteur central du KT-200 vers le bas, avec son interrupteur gauche à la position 'A'.

5. En faisant toujours référence au KT-200, si le courant est inférieur à 15 ampères, mettez-le à la position 'B'. Si le courant reste toujours inférieur à 15 ampères, mettez l'interrupteur central en haut et l'interrupteur droit à 'C'.

6. Continuez jusqu'à obtenir 15 ampères, mais sans les dépasser. La position 'D' est réservée aux longs parcours.

Le temps nécessaire au dégel peut varier de quelques secondes à plusieurs heures, selon la longueur et le diamètre du tuyau gelé. Si la durée vous semble excessive, vérifiez la position des pinces.

NOTA ! Cet appareil est équipé d'un disjoncteur de sécurité thermique. Lorsque l'appareil fonctionne au courant maximum pendant de longues périodes, il risque de s'arrêter automatiquement. L'appareil se remettra en marche automatiquement au bout d'environ 3 minutes.

Replis du matériel

1. Lorsque les canalisations sont dégelées, éteignez l'appareil en mettant l'interrupteur à la position OFF et débranchez le cordon d'alimentation.

2. Enlevez les pinces des tuyaux.

▲ MISE EN GARDE Les embouts de pince sont brûlantes et peuvent provoquer des brûlures.

3. Laissez refroidir les pinces avant de rembobiner les câbles et ranger l'appareil. Éloignez les pinces des matériaux combustibles et articles sensibles à la chaleur tant qu'elles n'ont pas refroidi.

Entretien

▲ MISE EN GARDE

Débranchez l'appareil avant toute intervention.

Entretien de l'appareil

1. Remplacez tout câble endommagé, effiloché, brisé ou usé.
2. Nettoyez les bornes régulièrement avec de la paille de fer et de la toile d'émeri.
3. Remplacez tout cordon d'alimentation endommagé, effiloché, brisé ou usé.
4. Assurez-vous que les pinces restent sèches et en bon état de propreté.

Stockage de l'appareil

▲ MISE EN GARDE Tout appareil électrique doit être stocké à l'intérieur ou recouvert en cas de pluie. Stockez l'appareil dans un endroit sous clé et hors de la portée des enfants et des amateurs. Cet appareil de décongélation risque de provoquer de graves blessures s'il tombe entre les mains d'utilisateurs non-initiés.

Service après-vente et réparations

▲ MISE EN GARDE



La révision et la réparation de cet appareil doivent être confiées à un réparateur qualifié. L'appareil de décongélation doit être confié à un concessionnaire RIDGID ou renvoyé à l'usine. Toutes réparations effectuées par les services Ridge sont garanties contre les vices de matériel et de main d'œuvre.

Utilisez exclusivement des pièces de rechange identiques aux pièces d'origine lors de la réparation de cet appareil. Le non-respect de cette consigne augmenterait les risques de choc électrique ou d'autres blessures graves.

En cas de questions concernant la révision ou la réparation de l'appareil, veuillez consulter nos services techniques aux coordonnées suivantes :

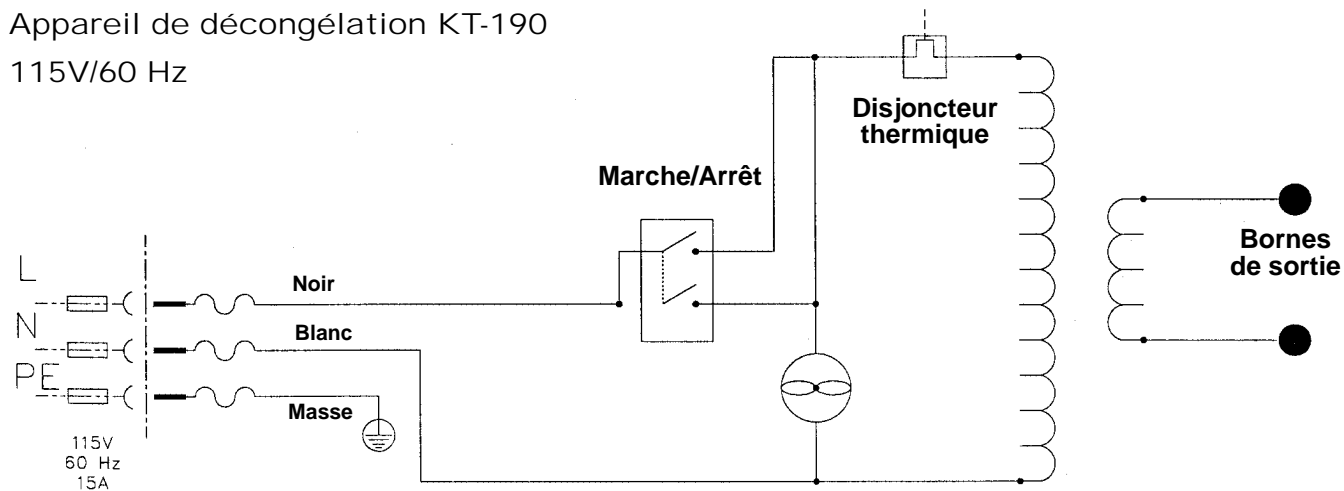
Ridge Tool Company
 Technical Service Department
 400 Clark Street
 Elyria, Ohio 44035-6001
 Tél. : (800) 519-3456
 E-mail: TechServices@ridgid.com

Pour obtenir les coordonnées du concessionnaire le plus proche, consultez-nous : (800) 519-3456 ou <http://www.ridgid.com>.

Schémas électriques

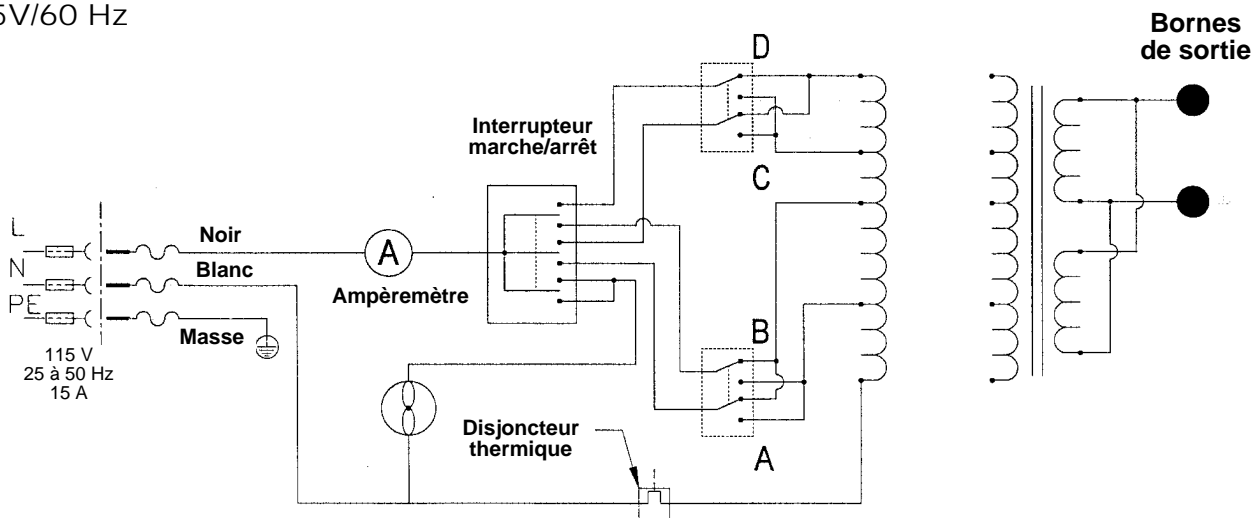
Appareil de décongélation KT-190

115V/60 Hz



Appareil de décongélation KT-200

115V/60 Hz









What is covered

RIDGID® tools are warranted to be free of defects in workmanship and material.

How long coverage lasts

This warranty lasts for the lifetime of the RIDGID® tool. Warranty coverage ends when the product becomes unusable for reasons other than defects in workmanship or material.

How you can get service

To obtain the benefit of this warranty, deliver via prepaid transportation the complete product to RIDGE TOOL COMPANY, Elyria, Ohio, or any authorized RIDGID® INDEPENDENT SERVICE CENTER. Pipe wrenches and other hand tools should be returned to the place of purchase.

What we will do to correct problems

Warranted products will be repaired or replaced, at RIDGE TOOL'S option, and returned at no charge; or, if after three attempts to repair or replace during the warranty period the product is still defective, you can elect to receive a full refund of your purchase price.

What is not covered

Failures due to misuse, abuse or normal wear and tear are not covered by this warranty. RIDGE TOOL shall not be responsible for any incidental or consequential damages.

How local law relates to the warranty

Some states do not allow the exclusion or limitation of incidental or consequential damages, so the above limitation or exclusion may not apply to you. This warranty gives you specific rights, and you may also have other rights, which vary, from state to state, province to province, or country to country.

No other express warranty applies

This FULL LIFETIME WARRANTY is the sole and exclusive warranty for RIDGID® products. No employee, agent, dealer, or other person is authorized to alter this warranty or make any other warranty on behalf of the RIDGE TOOL COMPANY.



Ce qui est couvert

Les outils RIDGE® sont garantis contre tous vices de matériaux et de main d'oeuvre.

Durée de couverture

Cette garantie est applicable durant la vie entière de l'outil RIDGE®. La couverture cesse dès lors que le produit devient inutilisable pour raisons autres que des vices de matériaux ou de main d'oeuvre.

Pour invoquer la garantie

Pour toutes réparations au titre de la garantie, il convient d'expédier le produit complet en port payé à la RIDGE TOOL COMPANY, Elyria, Ohio, ou bien le remettre à un réparateur RIDGID® agréé. Les clés à pipe et autres outils à main doivent être ramenés au lieu d'achat.

Ce que nous ferons pour résoudre le problème

Les produits sous garantie seront à la discrétion de RIDGE TOOL, soit réparés ou remplacés, puis réexpédiés gratuitement ; ou si, après trois tentatives de réparation ou de remplacement durant la période de validité de la garantie le produit s'avère toujours défectueux, vous aurez l'option de demander le remboursement intégral de son prix d'achat.

Ce qui n'est pas couvert

Les défaillances dues au mauvais emploi, à l'abus ou à l'usure normale ne sont pas couvertes par cette garantie. RIDGE TOOL ne sera tenue responsable d'aucuns dommages directs ou indirects.

L'influence de la législation locale sur la garantie

Puisque certaines législations locales interdisent l'exclusion des dommages directs ou indirects, il se peut que la limitation ou exclusion ci-dessus ne vous soit pas applicable. Cette garantie vous donne des droits spécifiques qui peuvent être éventuellement complétés par d'autres droits prévus par votre législation locale.

Il n'existe aucune autre garantie expresse

Cette GARANTIE PERPETUELLE INTEGRALE est la seule et unique garantie couvrant les produits RIDGID®. Aucun employé, agent, distributeur ou tiers n'est autorisé à modifier cette garantie ou à offrir une garantie supplémentaire au nom de la RIDGE TOOL COMPANY.

Ridge Tool Company
400 Clark Street
Elyria, Ohio 44035-6001

