

EcoSword Flue Assemblies and Ancillaries

For use with Models:

LGC160-210GPCE
LGC160-350GPCE
LGC200-210GPCE
LGC200-350GPCE
LGC245-420GPCE
LGC245-560GPCE
LGC285-420GPCE
LGC285-560GPCE
LGC380-560GPCE



Lochinvar[®]
HIGH EFFICIENCY BOILERS & WATER HEATERS

Contents

	Page No.
CONCENTRIC HORIZONTAL FLUE ASSEMBLY	<u>4</u>
CONCENTRIC VERTICAL FLUE ASSEMBLY	<u>5</u>
TWIN-PIPE HORIZONTAL FLUE ASSEMBLY	<u>6</u>
TWIN-PIPE VERTICAL FLUE ASSEMBLY	<u>7</u>
TWIN PIPE HORIZONTAL FLUE ASSEMBLY UTILISING SEPARATE AIR INLET AND FLUE OUTLET	<u>8</u>
CONVENTIONAL VERTICAL FLUE ASSEMBLY	<u>9</u>

Item no ELGH001

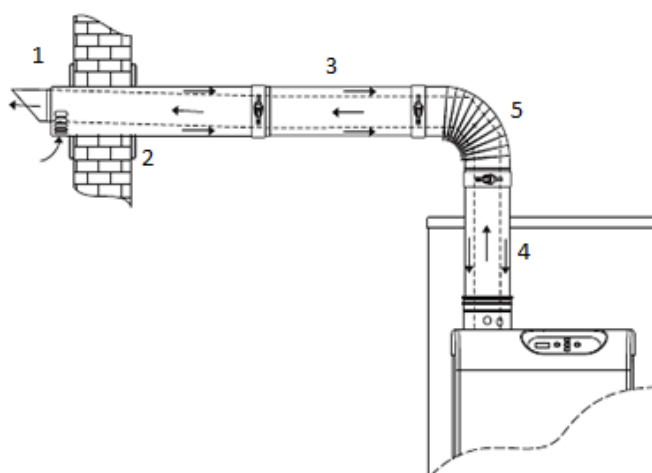
CONCENTRIC HORIZONTAL FLUE ASSEMBLY-ALL MODELS

COMPONENTS

Item No.	Description	Number	Quantity
LV310757	CONCENTRIC HORIZONTAL TERMINAL $\varnothing 80/125$ mm PP	1	1
M28925	TERMINAL WALL PLATES	2	2
LV310745	CONCENTRIC EXTENSION - $\varnothing 80/125$ mm PP (500mm)	3	1
LV310744	CONCENTRIC EXTENSION $\varnothing 80/125$ mm PP (280-395mm) TELESCOPIC	4	1
LV310735	CONCENTRIC BEND 90° $\varnothing 80/125$ mm PP	5	1

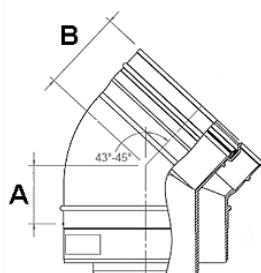
Maximum equivalent flue length =40 Metres

Maximum number of bends allowed =8

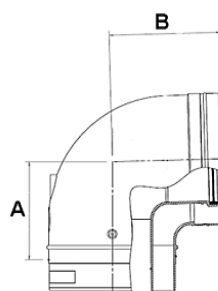


Additional Flue Ancillary Items

Item No.	Description	Dimensions
LV310740	CONCENTRIC EXTENSION $\varnothing 80/125$ mm PP FIXED	250mm
LV310745	CONCENTRIC EXTENSION $\varnothing 80/125$ mm PP FIXED	500mm
LV310742	CONCENTRIC EXTENSION - $\varnothing 80/125$ mm PP FIXED (1000mm)	1000mm
LV310743	CONCENTRIC EXTENSION $\varnothing 80/125$ mm PP FIXED	2000mm
LV310744	CONCENTRIC EXTENSION $\varnothing 80/125$ mm PP TELESCOPIC	280 to395mm
LV310745	CONCENTRIC EXTENSION - $\varnothing 80/125$ mm PP (500mm)	100 to450mm
LV310734	CONCENTRIC BEND 45° $\varnothing 80/125$ mm PP	See drawing below
LV310735	CONCENTRIC BEND 90° $\varnothing 80/125$ mm PP	See drawing below
M87195	WALL CLAMP $\varnothing 130$	n/a



A=45mm
B=62.5mm



A=95mm
B=110mm

For further information, see Installation manual available at www.lochinvar.ltd.uk

Item no ELGV001

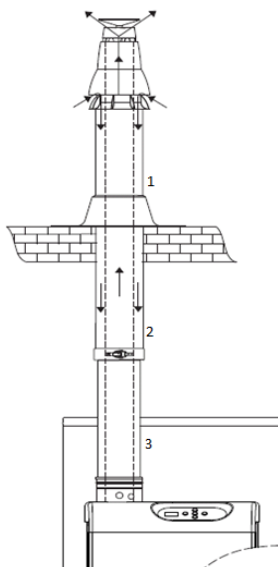
CONCENTRIC VERTICAL FLUE ASSEMBLY-ALL MODELS

COMPONENTS

Item No.	Description	Number	Quantity
LV310753	CONCENTRIC VERTICAL TERMINAL $\varnothing 80/125$ mm PP	1	1
LV310742	CONCENTRIC EXTENSION - $\varnothing 80/125$ mm PP FIXED (1000mm)	2	2
LV310744	CONCENTRIC EXTENSION $\varnothing 80/125$ mm PP (280-395mm) TELESCOPIC	3	1

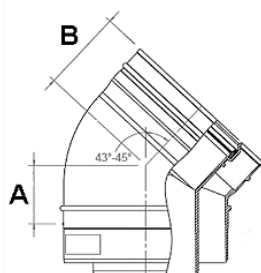
Maximum equivalent flue length =40 Metres

Maximum number of bends allowed =8

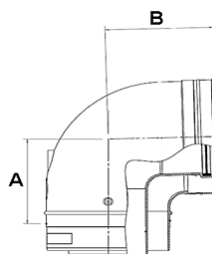


Additional Flue Ancillary Items

Item No.	Description	Dimensions
LV310740	CONCENTRIC EXTENSION $\varnothing 80/125$ mm PP FIXED	250mm
LV310745	CONCENTRIC EXTENSION $\varnothing 80/125$ mm PP FIXED	500mm
LV310742	CONCENTRIC EXTENSION - $\varnothing 80/125$ mm PP FIXED (1000mm)	1000mm
LV310743	CONCENTRIC EXTENSION $\varnothing 80/125$ mm PP FIXED	2000mm
LV310744	CONCENTRIC EXTENSION $\varnothing 80/125$ mm PP TELESCOPIC	280 to 395mm
LV310745	CONCENTRIC EXTENSION - $\varnothing 80/125$ mm PP (500mm)	100 to 450mm
LV310734	CONCENTRIC BEND 45° $\varnothing 80/125$ mm PP	See drawing below
LV310735	CONCENTRIC BEND 90° $\varnothing 80/125$ mm PP	See drawing below
M87195	WALL CLAMP $\varnothing 130$	n/a



A=45mm
B=62.5mm



A=95mm
B=110mm

For further information, see Installation manual available at www.lochinvar.ltd.uk

Item No ELGPH001

TWIN PIPE HORIZONTAL FLUE ASSEMBLY-ALL MODELS

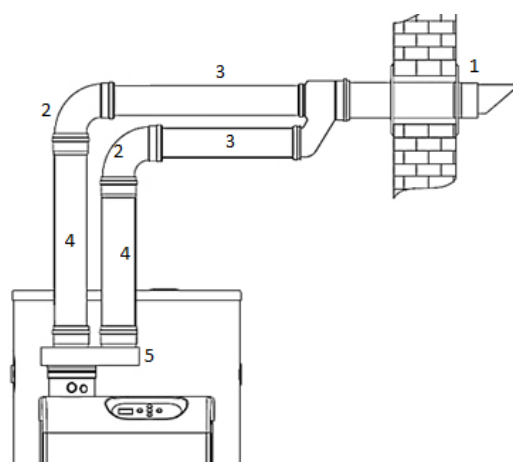
COMPONENTS

Item No.	Description	Number	Quantity
LV310728	CONCENTRIC HORIZONTAL TERMINAL Ø80/125mm PP (INCL TWIN PIPE TO CONCENTRIC ADAPTER)	1	1
M85291	BEND 90° Ø80mm	2	2
LV310718	EXTENSION 80mm PP (250mm) CUT TO LENGTH	3	2
LV310722	EXTENSION Ø80mm PP TELESCOPIC (280-395mm)	4	2
LV312209	CONCENTRIC TO TWIN PIPE ADAPTOR Ø80/125mm - 2X80mm	5	1

Maximum equivalent flue length =50 Metres

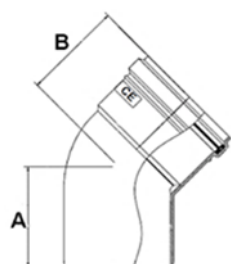
90 bend= 3.9mtr equivalent length

45 bend= 1.1mtr equivalent length

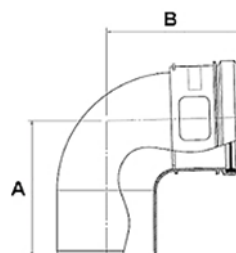


Additional Flue Ancillary Items

Item No.	Description	Dimensions
LV310718	EXTENSION 80mm PP	250mm
M85271	EXTENSION 80mm PP	500mm
M85272	EXTENSION 80mm PP	1000mm
LV310721	EXTENSION 80mm PP	2000mm
LV310722	EXTENSION Ø80mmPP TELESCOPIC	(280-395mm)
M85292	BEND 45° Ø80mm PP	See drawing below
M85291	BEND 90° Ø80mm PP	See drawing below
LV310703	BEND WITH SUPPORT 90° Ø80mm PP	n/a
LV310690	SUPPORT BRACKET FOR BEND WITH SUPPORT	n/a
M87191	WALL CLAMP - 80mm	n/a



A=72.5mm
B=72.5mm



A=110mm
B=110mm

For further information, see Installation manual available at www.lochinvar.ltd.uk

Item No ELGPV001

TWIN PIPE VERTICAL FLUE ASSEMBLY-ALL MODELS

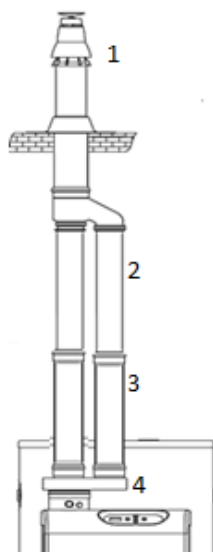
COMPONENTS

Item No.	Description	Number	Quantity
LV310708	CONCENTRIC VERTICAL TERMINAL Ø80/125mm PP (INCL TWIN PIPE TO CONCENTRIC ADAPTER)	1	1
M85272	EXTENSION 80mm PP (1000mm)	2	2
LV310722	EXTENSION Ø80mm PP TELESCOPIC (280-395mm)	3	2
LV312209	CONCENTRIC TO TWIN PIPE ADAPTOR Ø80/125mm - 2X80mm	4	1

Maximum equivalent flue length =50 Metres

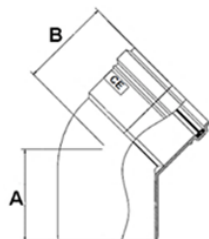
90 bend= 3.9mtr equivalent length

45 bend= 1.1mtr equivalent length

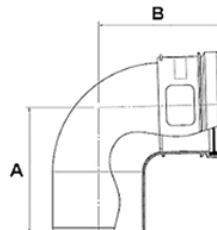


Additional Flue Ancillary Items

Item No.	Description	Dimensions
LV310718	EXTENSION 80mm PP	250mm
M85271	EXTENSION 80mm PP	500mm
M85272	EXTENSION 80mm PP	1000mm
LV310721	EXTENSION 80mm PP	2000mm
LV310722	EXTENSION Ø80mmPP TELESCOPIC	(280-395mm)
M85292	BEND 45° Ø80mm PP	See drawing below
M85291	BEND 90° Ø80mm PP	See drawing below
LV310703	BEND WITH SUPPORT 90° Ø80mm PP	n/a
LV310690	SUPPORT BRACKET FOR BEND WITH SUPPORT	n/a
M87191	WALL CLAMP - 80mm	n/a



A=72.5mm
B=72.5mm



A=110mm
B=110mm

For further information, see Installation manual available at www.lochinvar.ltd.uk

TWIN PIPE HORIZONTAL FLUE ASSEMBLY UTILISING SEPARATE AIR INLET AND FLUE OUTLET-ALL MODELS

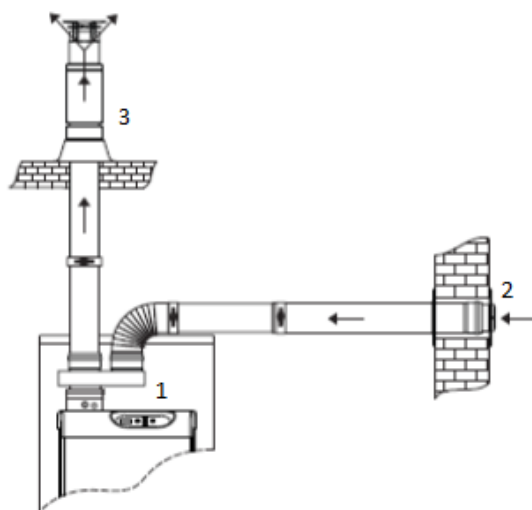
COMPONENTS REQUIRED TO START INSTALLATION

Item No.	Description	Number	Quantity
LV312209	CONCENTRIC TO TWIN PIPE ADAPTOR Ø80/125mm - 2X80mm		1
LV305016	HORIZONTAL AIR INLET Ø80mm		1
LV310753	CONCENTRIC VERTICAL TERMINAL Ø80/125mm PP		1 OR
LV310757	CONCENTRIC HORIZONTAL TERMINAL - Ø80/125mm PP		1+
M28925	TERMINAL WALL PLATES		1

Maximum equivalent flue length =50 Metres

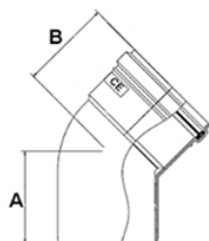
90 bend= 3.9mtr equivalent length

45 bend= 1.1mtr equivalent length

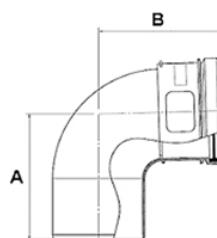


Additional Flue Ancillary Items

Item No.	Description	Dimensions
LV310718	EXTENSION 80mm PP	250mm
M85271	EXTENSION 80mm PP	500mm
M85272	EXTENSION 80mm PP	1000mm
LV310721	EXTENSION 80mm PP	2000mm
LV310722	EXTENSION Ø80mmPP TELESCOPIC	(280-395mm)
M85292	BEND 45° Ø80mm PP	See drawing below
M85291	BEND 90° Ø80mm PP	See drawing below
LV310703	BEND WITH SUPPORT 90° Ø80mm PP	n/a
LV310690	SUPPORT BRACKET FOR BEND WITH SUPPORT	n/a
M87191	WALL CLAMP - 80mm	n/a



A=72.5mm
B=72.5mm



A=110mm
B=110mm

For further information, see Installation manual available at www.lochinvar.ltd.uk

Item No ELGCF001

CONVENTIONAL VERTICAL FLUE ASSEMBLY-ALL MODELS

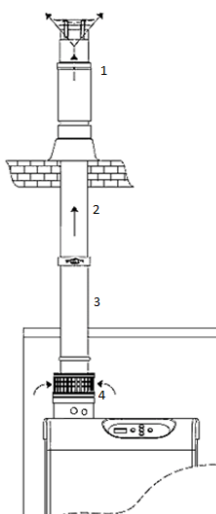
COMPONENTS

Item No.	Description	Number	Quantity
LV310753	CONCENTRIC VERTICAL TERMINAL - Ø80/125mm PP	1	1
M85272	FLUE EXTENSION 1000mm Ø80mm PP CUT TO LENGTH	2	1
LV310722	EXTENSION Ø80mm PP TELESCOPIC (280-395mm)	3	1
LV305030	AIR INLET BASKET Ø80/125mm	4	1

Maximum equivalent flue length =50 Metres

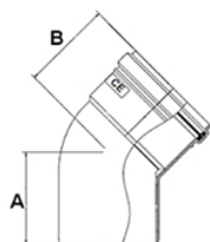
90 bend= 3.9mtr equivalent length

45 bend= 1.1mtr equivalent length

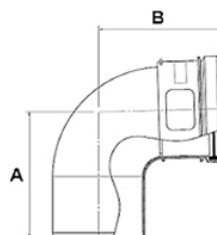


Additional Flue Ancillary Items

Item No.	Description	Dimensions
LV310718	EXTENSION 80mm PP	250mm
M85271	EXTENSION 80mm PP	500mm
M85272	EXTENSION 80mm PP	1000mm
LV310721	EXTENSION 80mm PP	2000mm
LV310722	EXTENSION Ø80mmPP TELESCOPIC	(280-395mm)
M85292	BEND 45° Ø80mm PP	See drawing below
M85291	BEND 90° Ø80mm PP	See drawing below
LV310703	BEND WITH SUPPORT 90° Ø80mm PP	n/a
LV310690	SUPPORT BRACKET FOR BEND WITH SUPPORT	n/a
M87191	WALL CLAMP - 80mm	n/a



A=72.5mm
B=72.5mm



A=110mm
B=110mm

For further information, see Installation manual available at www.lochinvar.ltd.uk

NOTES



IMPORTANT INFORMATION

These instructions must be read and understood before installing, commissioning, operating or maintaining the equipment.

